

Soft Ferrites

Bobbin cores

BOBBIN CORES

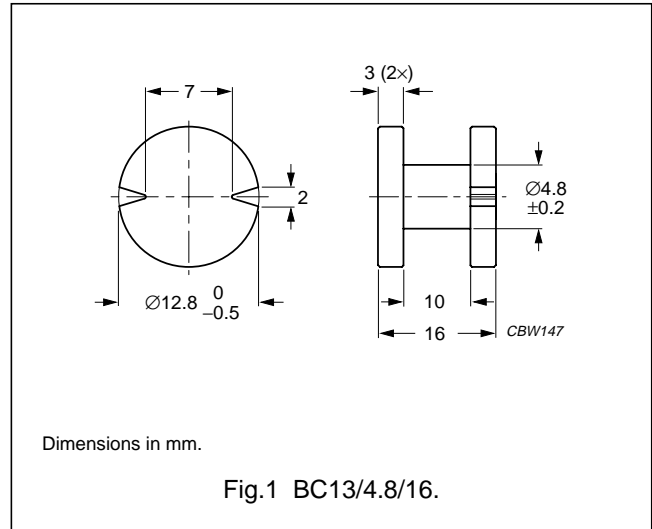
Type BC13/4.8/16

A_L measured with fully wound bobbin.

| GRADE | A_L (nH) | TYPE NUMBER |
|-------|------------|---------------------------------|
| 3C90 | 50 | BC13/4.8/16-3C90 ^{sup} |

Winding data for BC13/4.8/16

| WINDING AREA (mm ²) | AVERAGE LENGTH OF TURN (mm) |
|---------------------------------|-----------------------------|
| 38.8 | 27.3 |



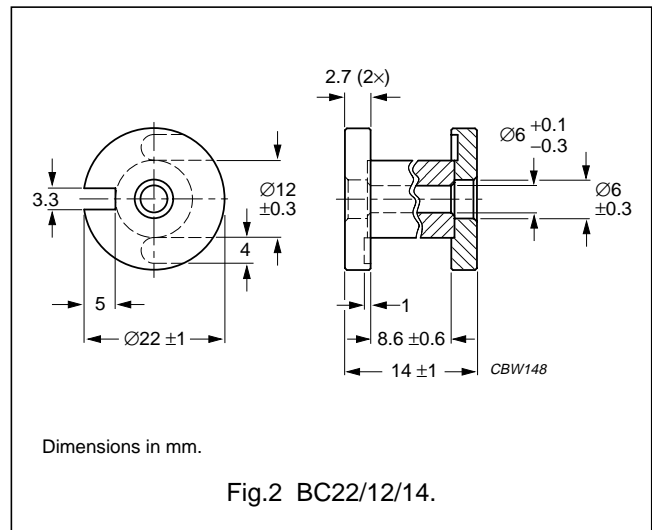
Type BC22/12/14

A_L measured with fully wound bobbin.

| GRADE | A_L (nH) | TYPE NUMBER |
|-------|------------|--------------------------------|
| 3C90 | 86 | BC22/12/14-3C90 ^{sup} |

Winding data for BC22/12/14

| WINDING AREA (mm ²) | AVERAGE LENGTH OF TURN (mm) |
|---------------------------------|-----------------------------|
| 43.0 | 53.4 |



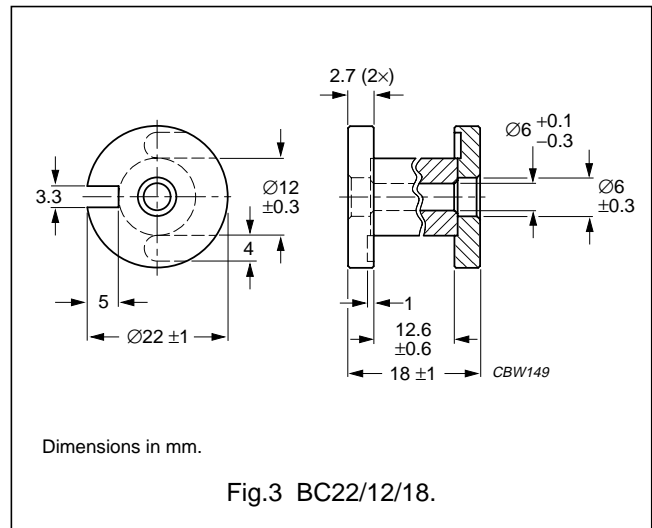
Type BC22/12/18

A_L measured with fully wound bobbin.

| GRADE | A_L (nH) | TYPE NUMBER |
|-------|------------|--------------------------------|
| 3C90 | 85 | BC22/12/18-3C90 ^{sup} |

Winding data for BC22/12/18

| WINDING AREA (mm ²) | AVERAGE LENGTH OF TURN (mm) |
|---------------------------------|-----------------------------|
| 63.0 | 53.4 |



Soft Ferrites

Bobbin cores

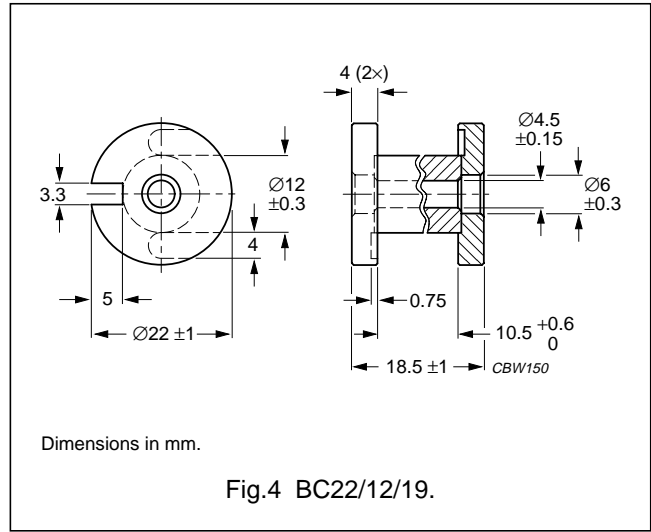
Type BC22/12/19

A_L measured with fully wound bobbin.

| GRADE | A_L (nH) | TYPE NUMBER |
|-------|------------|--------------------------------|
| 3C90 | 91 | BC22/12/19-3C90 ^{sup} |

Winding data for BC22/12/19

| WINDING AREA (mm ²) | AVERAGE LENGTH OF TURN (mm) |
|---------------------------------|-----------------------------|
| 52.5 | 53.4 |



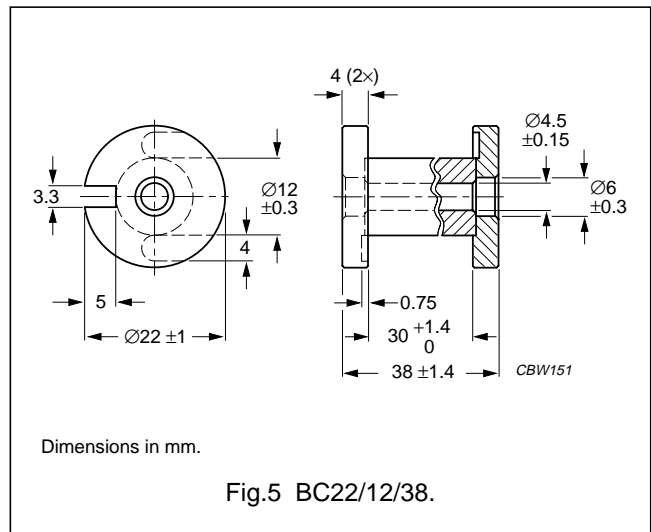
Type BC22/12/38

A_L measured with fully wound bobbin.

| GRADE | A_L (nH) | TYPE NUMBER |
|-------|------------|--------------------------------|
| 3C90 | 74 | BC22/12/38-3C90 ^{sup} |

Winding data for BC22/12/38

| WINDING AREA (mm ²) | AVERAGE LENGTH OF TURN (mm) |
|---------------------------------|-----------------------------|
| 150 | 53.4 |



Type BC23/12/14

A_L measured with fully wound bobbin.

| GRADE | A_L (nH) | TYPE NUMBER |
|-------|------------|--------------------------------|
| 3C90 | 86 | BC23/12/14-3C90 ^{sup} |

Winding data for BC23/12/14

| WINDING AREA (mm ²) | AVERAGE LENGTH OF TURN (mm) |
|---------------------------------|-----------------------------|
| 45.6 | 54.3 |

