

## Parasitic Oscillation and Ringing of Power MOSFETs

### **Description**

This document describes the causes of and solutions for parasitic oscillation and ringing of power MOSFETs.

## Table of Contents

Description.....	1
Table of Contents.....	2
1. Parasitic oscillation and ringing of a standalone MOSFET .....	3
2. Forming of an oscillation network.....	3
2.1. Oscillation phenomenon .....	3
2.1.1. Feedback circuit (positive and negative feedback) .....	4
2.1.2. Conditions for oscillation.....	5
2.2. MOSFET oscillation .....	5
2.2.1. MOSFET feedback loop .....	5
2.2.2. Colpitts oscillators.....	6
2.2.3. Hartley oscillators .....	7
2.3. Parasitic oscillation of MOSFETs for switching applications (standalone MOSFET operation) .....	7
2.3.1. Parasitic oscillation circuits (parasitic oscillation loops).....	8
2.3.2. Condition for parasitic oscillation .....	10
2.4. Mitigating parasitic oscillation.....	11
3. Voltage ringing induced by the drain inductance.....	12
3.1. Mechanism.....	12
3.2. Mitigating the ringing.....	13
4. Voltage induced by the source lead and wire stray inductances.....	14
4.1. Mitigating the ringing.....	14
5. Simulating and reducing oscillation and ringing of a MOSFET.....	15
5.1. Oscillator .....	15
5.1.1. Oscillation phenomenon .....	15
5.1.2. Mitigating oscillation.....	16
5.2. Ringing caused by drain stray inductance.....	17
5.2.1. Ringing simulation .....	17
5.2.2. Mitigating the ringing .....	18
5.3. Ringing caused by the source lead and wire stray inductances.....	19
5.3.1. Ringing simulation .....	19
5.3.2. Mitigating the ringing .....	20
RESTRICTIONS ON PRODUCT USE.....	21

## 1. Parasitic oscillation and ringing of a standalone MOSFET

This section discusses parasitic oscillation and ringing of a MOSFET in switching applications. The oscillation and ringing of the gate voltage could cause false switching, increase power losses and lead to permanent damage of a MOSFET.

Major causes of the oscillation and ringing of a MOSFET are as follows:

### (1) Forming of an oscillation circuit

An oscillation network is formed in a circuit and leads to parasitic oscillation of a MOSFET.

### (2) Surge voltage across the drain and source

The ringing voltage between the drain and the source during turn-off could return to the gate terminal through a positive feedback loop via the gate-drain capacitance  $C_{gd}$  and cause the gate voltage to oscillate.

### (3) Source inductance

A voltage induced by the  $di/dt$  of the drain-source current during turn-off and the source lead and wire stray inductances could cause the gate-source loop of a MOSFET to go into LCR resonance. (Ringing induced by the source inductance)

Other factors could also cause oscillation and ringing, but stray inductance is of primary importance in using MOSFETs.

## 2. Forming of an oscillation network

### 2.1. Oscillation phenomenon

Oscillation is a phenomenon whereby an electronic circuit causes voltage and current vibration on its own without receiving vibration energy from an external source. In reality, since a circuit has electric resistance, oscillations decay with time unless the lost energy is supplied to the circuit.

The conditions for oscillation are:

#### (1) Phase condition

The feedback signal from the output to the input is in phase with the input signal at the oscillation frequency. (Positive feedback loop)

#### (2) Amplitude condition

The loss caused by passive elements in a circuit is lower than the gain obtained by an amplifier.

Oscillation occurs when a circuit has a positive feedback and provides a gain that compensates for a loss.

### 2.1.1. Feedback circuit (positive and negative feedback)

Figure 2.1 shows a feedback circuit (in which part of the output is fed back to the input).

$v_i$  = input voltage,  $v_o$  = output voltage,  $A$  = loop gain, and  $H$ : feedback factor

$v_1$  = input voltage applied to the amplifier,  $v_2$  = feedback voltage

The open-loop gain  $G_o$  of this circuit must be calculated to verify its operation. For this purpose, the feedback loop is usually cut as shown in Figure 2.2.

$G_o$  is calculated as follows:

$$\text{Since } v_2 = AHv_1$$

$$G_o = v_2/v_1 = AH$$

The loop gain in a feedback system (called closed-loop gain,  $G_c$ ) can be expressed as follows using  $G_o = AH$ :

$$v_o = A \cdot v_1 \quad (1)$$

$$v_1 = v_i + H \cdot v_o \quad (2)$$

From Equations (1) and (2),

$$\begin{aligned} v_o &= A(v_i + H \cdot v_o) \\ &= [A/(1-AH)]v_i \quad (3) \end{aligned}$$

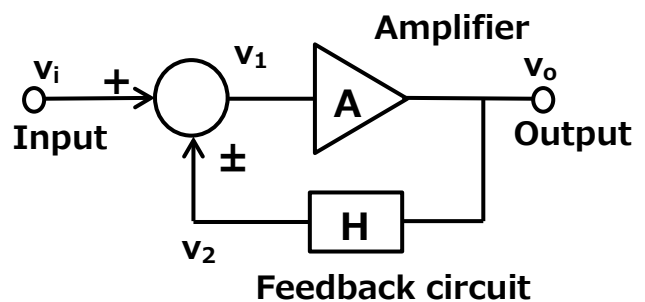


Figure 2.1 Feedback circuit

From this equation, the overall gain of the circuit is calculated as:

$$G_c = v_o/v_i = A/(1-AH) \quad (4)$$

Equation (4) shows that a positive feedback loop is created when  $AH$  is positive and that a negative feedback loop is created when  $AH$  is negative.

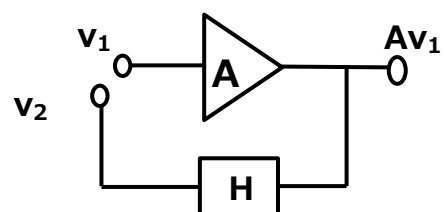


Figure 2.2 Loop gain

### 2.1.2. Conditions for oscillation

A positive feedback loop becomes unstable and oscillates when it has a gain  $AH$  of 1 or greater.

Therefore, a positive feedback loop is not generally used in amplifiers; it is commonly used in oscillators (such as Wien bridge oscillators, Colpitts oscillators and Hartley oscillators). Here, let's confine our discussion to positive feedback loops. Then, when  $AH=1$  in Equation (4),  $G_c$  becomes infinite, causing a feedback circuit to go into oscillation.

The loop gain  $AH$  of a positive feedback loop in an oscillator is expressed using a complex number. In a complex number  $a + bi$ ,  $a$  is the real part and  $b$  is the imaginary part. Let the real part be  $Re(AH)$  and the imaginary part be  $Im(AH)$ . Then, the conditions for oscillation are:

$$AH = Re(AH) + jIm(AH)$$

$$Re(AH) \geq 1$$

## 2.2. MOSFET oscillation

Power MOSFETs have a large transconductance  $g_m$  and parasitic capacitances. Therefore, wire and other stray inductances (inductances between the gate, source, and drain circuits and in the associated interconnects) could form a positive feedback circuit, causing parasitic oscillation.

The oscillating voltage could produce voltage overshoot on the positive feedback loop and the gate, leading to permanent damage of the MOSFET.

When a power MOSFET is in the steady on or off state, parasitic oscillation does not occur because its transconductance  $g_m$  becomes zero or negligibly small. A power MOSFET is susceptible to parasitic oscillation: **1) when its load is short-circuited; and 2) during transient switching periods in which  $g_m$  becomes large.** Since the MOSFET is operating in linear mode (i.e.,  $V_{DS}$  and  $I_D$  are being applied simultaneously), a positive feedback path can be formed by electromagnetic induction, parasitic capacitance and other factors. MOSFETs with a high  $g_m$  go into parasitic oscillation when their loop gain is 1 or greater.

### 2.2.1. MOSFET feedback loop

Oscillation does not occur without a feedback loop. The following paragraphs discuss the conditions necessary for oscillation to occur, using a circuit shown in Figure 2.3. Assuming that  $X_1$  to  $X_3$  are the ideal reactances, their losses can be ignored. In this case, current  $i$  is considered not to flow from the MOSFET to each reactance. Therefore, the circuit of Figure 2.3 can be approximated as shown in Figure 2.4.

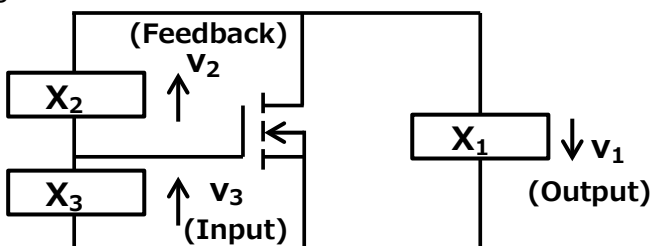


Figure 2.3 Schematic of an oscillation model

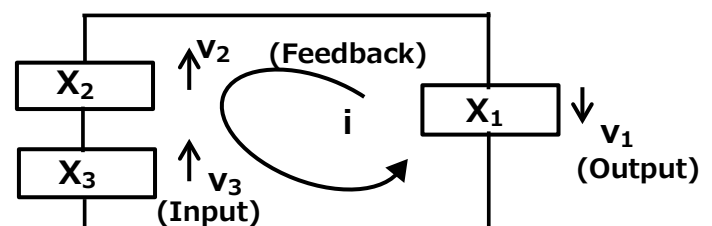


Figure 2.4 Current flowing through the oscillation circuit

According to Kirchhoff's circuit laws,

$$v_1 + v_2 + v_3 = i(X_1 + X_2 + X_3) = 0$$

Here,  $i \neq 0$ .

Hence,  $X_1 + X_2 + X_3 = 0$

There is a positive feedback loop when the circuit is oscillating. This means that  $v_3$  (input) is in phase with  $v_1$  (output) in Figure 2.3 and Figure 2.4. Therefore,  $X_3$  and  $X_1$  are reactances of the same property;  $X_2$  is not.

Typical oscillators include Colpitts oscillators (Figure 2.5) and Hartley oscillators (Figure 2.6).

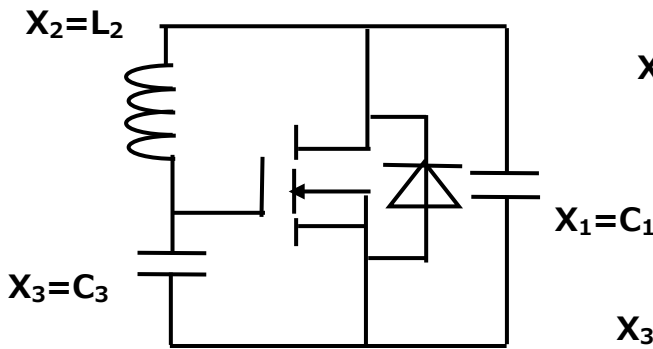


Figure 2.5 Colpitts oscillator

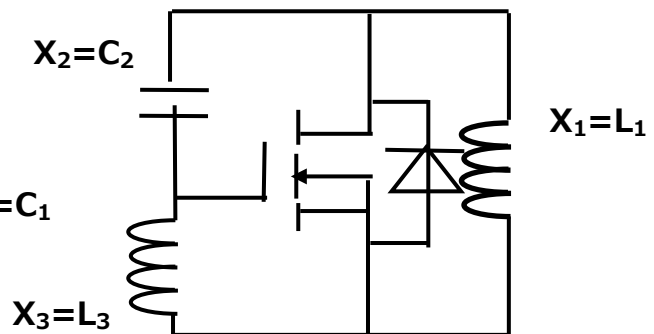


Figure 2.6 Hartley oscillator

### 2.2.2. Colpitts oscillators

Figure 2.7 shows basic Colpitts oscillators.

The equivalent circuit model of Colpitts oscillators is shown in Figure 2.8. Its oscillation frequency and the gain ( $g_m \cdot r_d$ ) necessary to sustain oscillation can be determined by calculating a loop gain. Since the gate current is zero, the wire from  $v_2$  to  $v_1$  can be ignored.

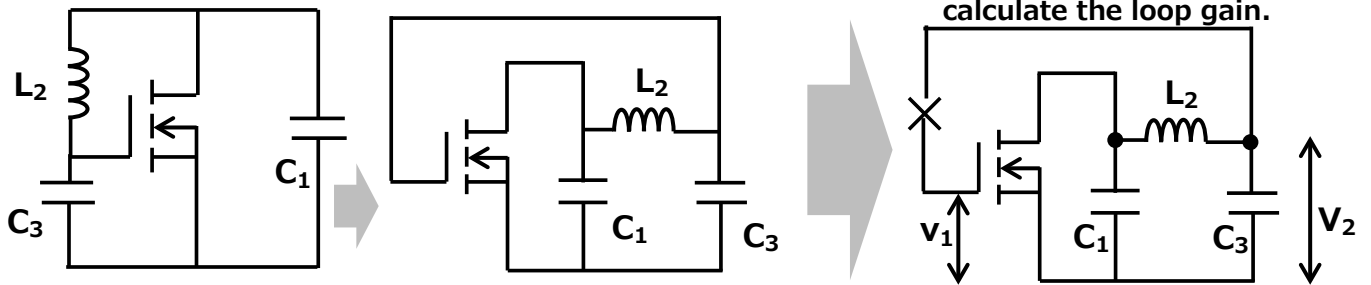


Figure 2.7 Basic Colpitts oscillators

$$v_2 = (-g_m \cdot v_1) \frac{1}{\frac{1}{r_d + j\omega C_1} + \frac{1}{j\omega L_2 + \frac{1}{j\omega C_3}}} \times \frac{\frac{1}{j\omega C_3}}{j\omega L_2 + \frac{1}{j\omega C_3}}$$

$$= (-g_m \cdot v_1) \frac{r_d}{1 - \omega^2 L_2 C_3 + j\omega(C_1 + C_3 - \omega^2 L_2 C_1 C_3) r_d}$$

$$AH = \frac{v_2}{v_1} = \frac{-g_m \cdot r_d}{1 - \omega^2 L_2 C_3 + j\omega(C_1 + C_3 - \omega^2 L_2 C_1 C_3) r_d} \quad (6)$$

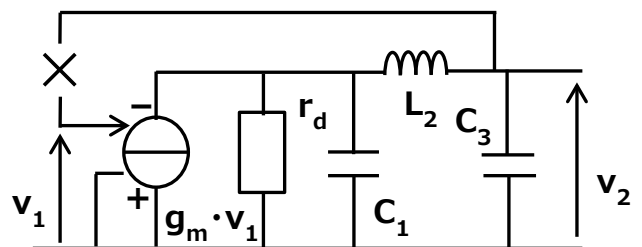


Figure 2.8 Equivalent circuit of a Colpitts oscillator

From this equation, the oscillation frequency and the gain can be calculated as follows:

Oscillation frequency

$$\text{Im}(AH)=0$$

The Colpitts oscillator is most susceptible to oscillation at a frequency at which the phase of a signal that has looped around the circuit once is delayed by 0° or 360°. Hence,

$$C_1 + C_3 - \omega^2 L_2 C_1 C_3 = 0 \quad (\text{By dividing both sides of the equation by } j\omega C_1 j\omega C_3, \\ 1/j\omega C_1 + 1/j\omega C_2 + j\omega L_2 = 0 \text{ is obtained.})$$

$$\omega^2 = \frac{C_1 + C_3}{L_2 C_1 C_3} \quad (7) \quad \omega = \sqrt{\frac{C_1 + C_3}{L_2 C_1 C_3}} \quad (8)$$

Gain: Substituting Equation (7),  $\omega^2 = (C_1 + C_2) / L_2 C_1 C_3$ , into  $\text{Re}(AH) \geq 1$ :

$$\frac{-g_m \cdot r_d}{1 - \frac{C_1 + C_3}{L_2 C_1 C_3} L_2 C_3} = \frac{g_m \cdot r_d}{\frac{C_3}{C_1}} \geq 1 \quad \therefore g_m \cdot r_d \geq \frac{C_3}{C_1} \quad (9)$$

( $g_m \cdot r_d$ : Voltage loop gain)

### 2.2.3. Hartley oscillators

Figure 2.9 shows basic Hartley oscillators.

As is the case with Colpitts oscillators, the oscillation frequency of a Hartley oscillator and the gain ( $g_m \cdot r_d$ ) necessary to sustain oscillation can be determined by calculating a loop gain. The equivalent circuit of Hartley oscillators is shown in Figure 2.10.

$$\omega = \frac{1}{\sqrt{(L_1 + L_3)C_2}} \quad (10) \quad g_m \cdot r_d \geq \frac{L_1}{L_3} \quad (11)$$

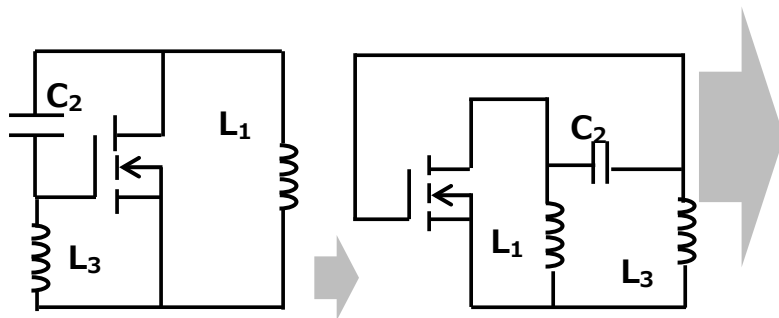


Figure 2.9 Basic Hartley oscillators

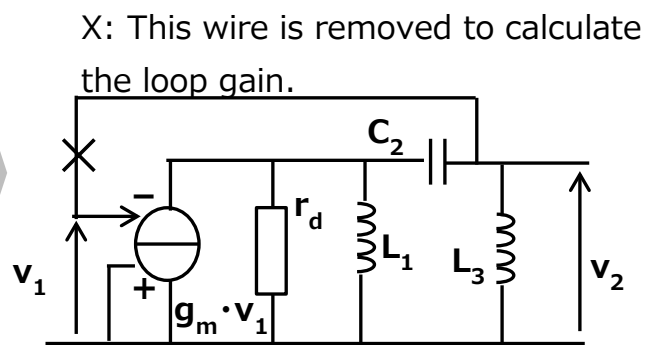


Figure 2.10 Equivalent circuit of a Hartley oscillator

### 2.3. Parasitic oscillation of MOSFETs for switching applications (standalone MOSFET operation)

As described above, when a power MOSFET is in the steady on or off state, parasitic oscillation does not occur because its transconductance  $g_m$  becomes zero or negligibly small.

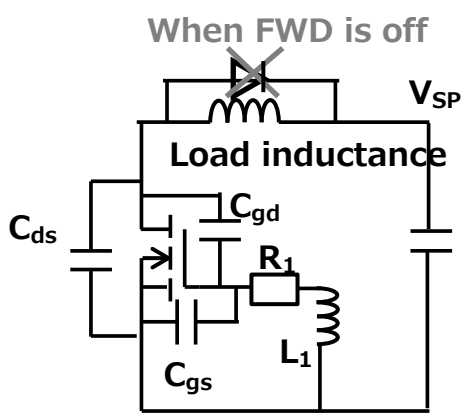
When a MOSFET switches a resistive load, the circuit connected to the drain terminal has a low Q factor\* (quality factor). Because of a low loop gain at the parasitic oscillation frequency, a typical parasitic oscillation does not occur. When a MOSFET switches an inductive load, a parasitic oscillation circuit might be formed. However, a positive feedback loop necessary for parasitic oscillation is not formed when a freewheel diode is off.

Suppose that the freewheel diode (FWD) in the equivalent circuit shown in Figure 2.11 is off. Then, since an inductive load does not conduct a current at the parasitic oscillation frequency, the equivalent circuit can be approximated as shown in Figure 2.12 by ignoring the internal inductances of the MOSFET. Note that this circuit consists of only stray inductances of the gate and source wires and internal parasitic capacitances of the MOSFET. The LC tank consisting of the capacitor  $C_{gs}$  and the

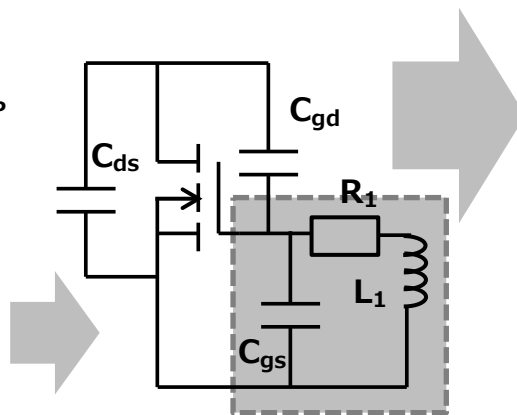
inductor  $L_1$  becomes capacitive or inductive, depending on the frequency as shown in Figure 2.13 and Figure 2.14, neither of which has a positive feedback loop. Therefore, they are not susceptible to parasitic oscillation (see Section 2.2.1, "MOSFET feedback loop," for positive feedback loops).

\* Q factor: Applicable to resonant circuits consisting of inductors and capacitors

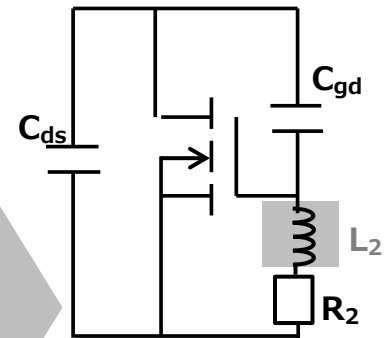
$$Q = \frac{1}{R} \sqrt{\frac{L}{C}}$$



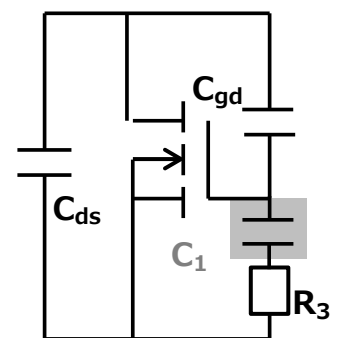
**Figure 2.11**  
FWD conduction circuit



**Figure 2.12**  
Equivalent circuit



**Figure 2.13**  
Equivalent circuit (a)



**Figure 2.14**  
Equivalent circuit (b)

### 2.3.1. Parasitic oscillation circuits (parasitic oscillation loops)

When the following conditions are met, a parasitic oscillation loop (i.e., a loop that conducts a signal at the oscillation frequency) is formed across the drain and source terminals, making a MOSFET susceptible to oscillation.

**① The freewheel diode is in conduction (i.e., when it is forward biased or during reverse recovery).**

When a freewheel diode is in conduction, a drain-source current passes the capacitor  $C_1$  between  $V_{DD}$  and GND, bypassing a reactor load. Therefore, a parasitic oscillation loop is formed.

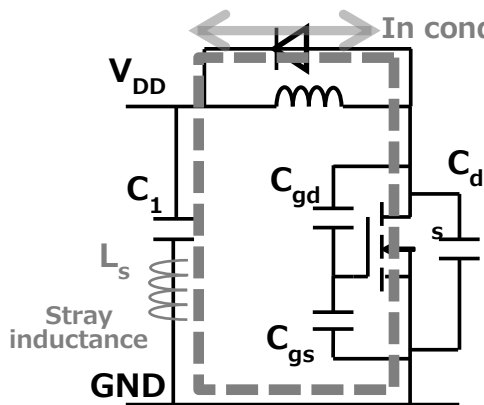
**② The load is short-circuited.**

When the load is short-circuited, the drain and source terminals of the MOSFET are connected via the capacitor  $C_1$  between  $V_{DD}$  and GND. As a result, a parasitic oscillation loop is formed as shown by the dashed line in Figure 2.16.

**③ There is a large parasitic capacitance  $C_2$  between the drain and the source.**

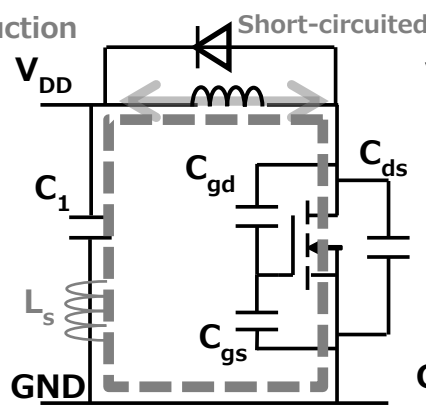


If there is a large parasitic capacitance  $C_2$  between the drain and the source due to multilayer wiring in a laminated printed circuit board, a parasitic oscillation loop is formed as shown by the dashed line in Figure 2.17. Then, all conditions for parasitic oscillation are met.



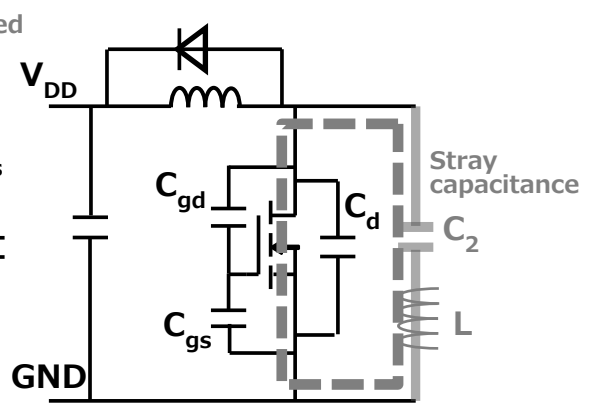
**Figure 2.15**

① FWD in conduction



**Figure 2.16**

② Short-circuited load

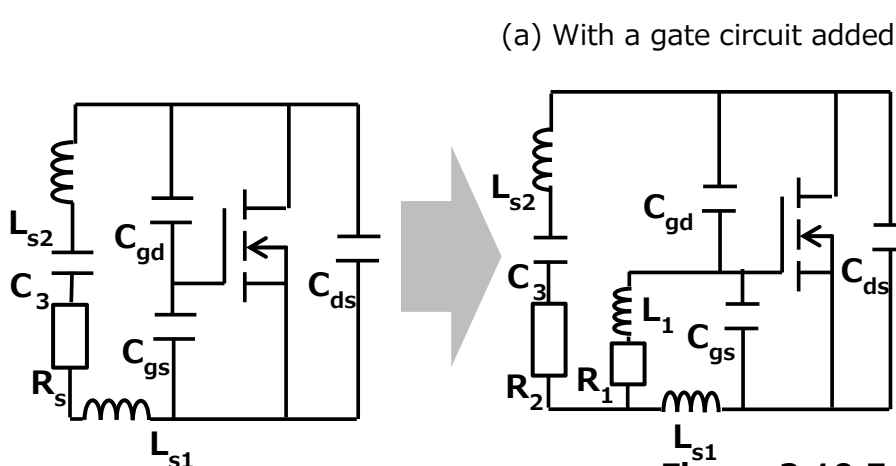


**Figure 2.17**

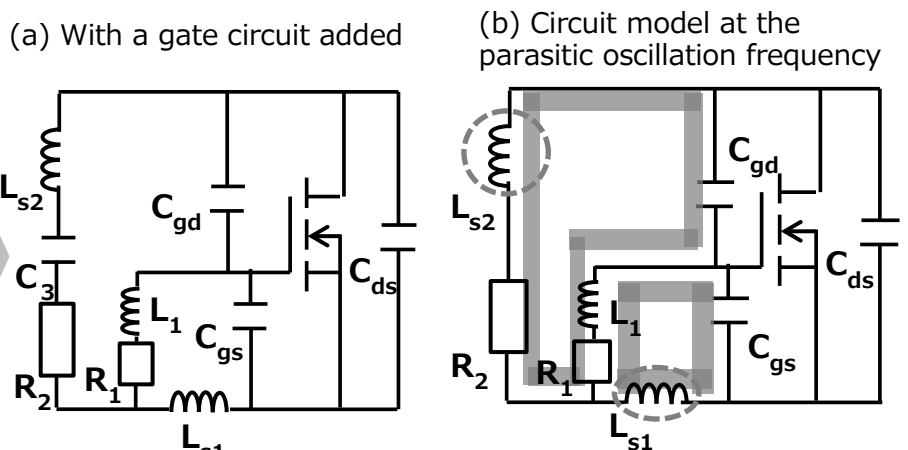
③ Parasitic capacitance between drain and source

Since the capacitor  $C_1$  in Figure 2.15 and Figure 2.16 and  $C_2$  in Figure 2.17 are large, they can be considered to be in a current conduction path at the parasitic oscillation frequency. Figure 2.18 shows an equivalent circuit. In reality, this circuit has a resistance  $R_1$  of the gate circuit and a parasitic inductance  $L_1$  of the gate wire. Figure 2.19(a) shows an equivalent circuit, with the gate circuit added.

In Figure 2.19(a), if the impedance of  $C_3$  (i.e.,  $C_1$  in Figure 2.15 and Figure 2.16 and  $C_2$  in Figure 2.17) is sufficiently low at the parasitic oscillation frequency,  $C_3$  can be considered to be short-circuited. At this time, the equivalent circuit can be remodeled as shown in Figure 2.19(b). The ratio of  $L_{s1}$  and  $L_{s2}$  varies according to the position of the drain-source path to which the gate is connected. Either  $C_{gd}$  or  $C_{gs}$  forms a parallel resonant circuit with  $L_1$ , depending on the  $L_{s1}/L_{s2}$  ratio.



**Figure 2.18** Equivalent circuit



**Figure 2.19** Equivalent circuits with a gate circuit added

$L_{s1}$ ,  $L_{s2}$ : The parasitic inductances  $L_{s1}$  and  $L_{s2}$  are the equivalent series inductance (ESL) of the capacitor between  $V_{DD}$  and GND and the parasitic inductance of the drain-source wire.

$R_2$ :  $R_2$  is the on-resistance of the freewheel diode and the equivalent series resistor (ESR) of the capacitor between  $V_{DD}$  and GND

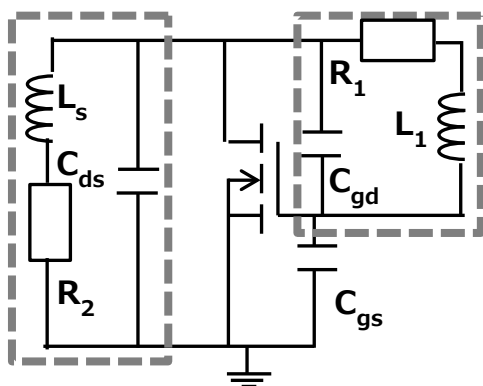
When the source wire inductance  $L_{s1}$  is larger than the drain wire inductance  $L_{s2}$  in Figure 2.19(b), the gate is connected to the drain, not the source, at the parasitic oscillation frequency. Figure 2.20 shows this equivalent circuit.

For the circuit of Figure 2.20 to form a resonant circuit, Resonant Circuit #1 formed by  $L_1$  and  $C_{gd}$  must be inductive at the parasitic oscillation frequency  $\omega_{osc}$ , and Resonant Circuit #2 formed by  $C_{ds}$  and  $L_s$  must be capacitive at  $\omega_{osc}$ .

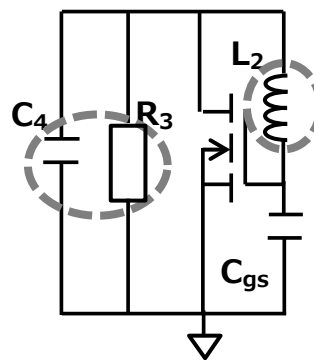
In this case, the equivalent circuit can be remodeled as shown in Figure 2.21, which is basically a Colpitts oscillator.

The gate resistor  $R_1$  and the drain resistor  $R_2$  have been converted to the drain-source resistance of a MOSFET as represented by  $R_3$  in Figure 2.21.  $L_2$  is an inductance in Resonant Circuit #1, and  $C_4$  is a capacitance in Resonant Circuit #2.

Resonant Circuit #2 Resonant Circuit #1



**Figure 2.20 Equivalent circuit**



**Figure 2.21 Equivalent circuit model for parasitic oscillation**

This section has discussed a situation where the source wire inductance  $L_{s1}$  is larger than the drain wire inductance  $L_{s2}$  in Figure 2.19. In contrast, when the source wire inductance  $L_{s1}$  is smaller than the drain wire inductance  $L_{s2}$ , a resonant circuit is formed between the gate and the source. If this resonant circuit becomes inductive and the resonant circuit between the drain and the source becomes inductive, a Hartley oscillator is formed. In this case, the circuit in Figure 2.19 might also oscillate.

### 2.3.2. Condition for parasitic oscillation

When a Colpitts oscillator is formed (See Equation (9) in Section 2.2.2, "Colpitts oscillators.")

The circuit shown in Figure 2.21 goes into oscillation when it has a loop gain of 1 or greater. The condition for parasitic oscillation is expressed as:

$$g_m \cdot R_3 \cdot C_4 / C_{gs} \geq 1$$

Hence,  $g_m \geq (C_{gs} / C_4) / R_3$

where,  $R_3$  is the equivalent drain-source resistance.

Substituting  $C_{ds}$  for  $C_4$ , the following equation is obtained:

$$g_m \geq (C_{gs} / C_{ds}) / R_3 \quad (12)$$

Parasitic oscillation occurs when this equation is met.

## 2.4. Mitigating parasitic oscillation

- A Colpitts oscillator is not formed when the wire inductances shown in Figure 2.19(a) satisfy  $L_{s1} < L_{s2}$ .

(The assumption is that a Hartley oscillator is not formed.)

- Equation (12) shows that a MOSFET with a large  $C_{gs}/C_{ds}$  ratio is less susceptible to parasitic oscillation.

- The gate resistance  $R_1$  and the drain resistance  $R_2$  shown in Figure 2.20 can be replaced with the drain resistance  $R_3$  as shown in Figure 2.21. Generally, increasing  $R_1$  decreases  $R_3$ . Therefore, this makes parasitic oscillation less likely to occur due to a loop gain.

### 3. Voltage ringing induced by the drain inductance

The  $di/dt$  of the drain current during turn-off and the stray inductances of the drain terminal and the connected wire cause a voltage surge across the drain and the source. The surge voltage is fed back to the gate terminal of a MOSFET and might cause ringing of the gate voltage. A large ringing voltage superimposed on the gate voltage might cause the MOSFET to turn on and off repeatedly, leading to oscillation of the MOSFET.

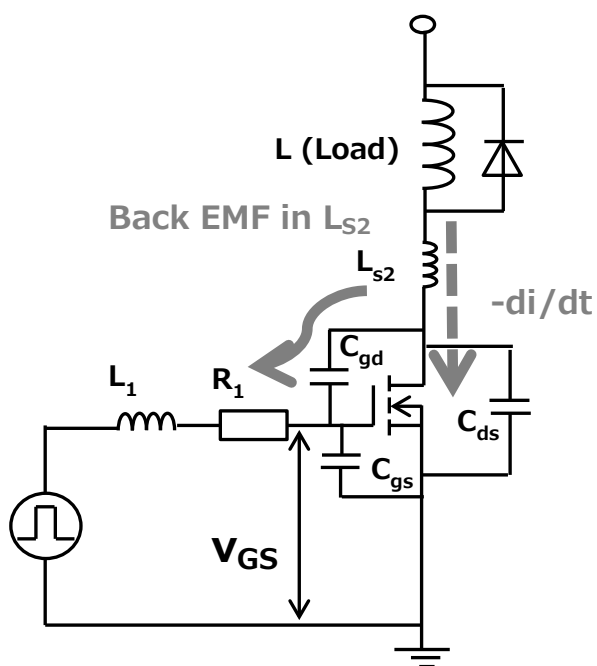
#### 3.1. Mechanism

When the MOSFET in the circuit shown in Figure 3.1 turns off, the  $di/dt$  of the drain current and the stray inductances of the drain lead and wire cause a voltage surge across the drain and the source. The surge voltage is expressed as:

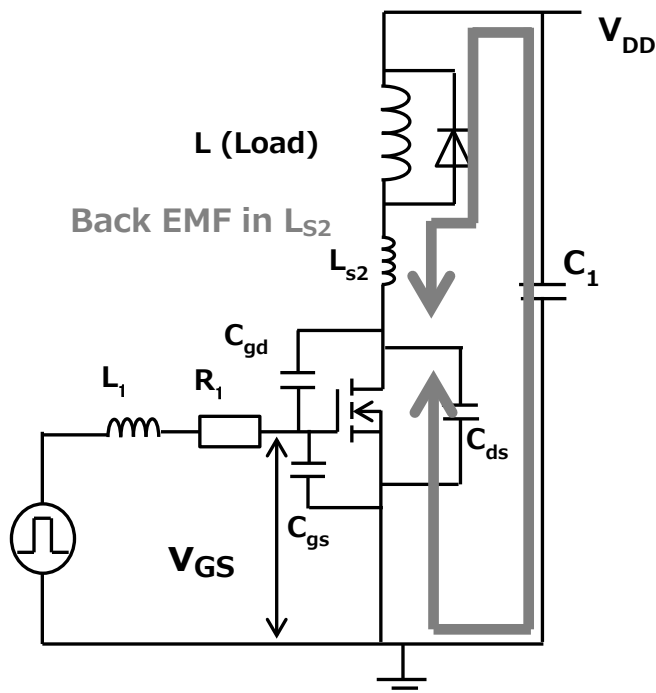
$$V_{Surge} = L_{S2} \times di/dt \quad (13)$$

Suppose that the diode in the drain-source loop is in conduction in the circuit shown in Figure 3.2 (i.e., energy from L is being recirculated). Then, the circuit causes ringing since the surge voltage resonates with the  $C_{ds}$  of the MOSFET and the stray inductance  $L_{S2}$ . (Since the impedance of  $C_1$  is sufficiently low for parasitic oscillation frequency, it can be considered to be short-circuited.)

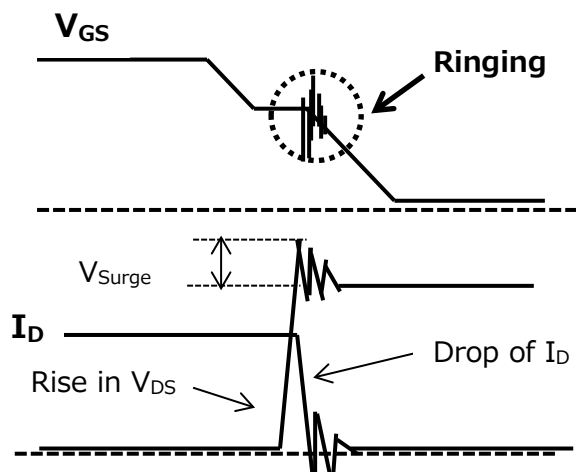
The surge voltage is superimposed on the  $v_{GS}$  voltage via the gate-drain capacitance  $C_{gd}$  of the MOSFET. As a result, it might also affect the gate inductance as shown in Figure 3.3, causing ringing of the gate voltage.



**Figure 3.1 Occurrence of a voltage surge**



**Figure 3.2 Drain-source resonance loop**



**Figure 3.3 Ringing waveforms**

### 3.2. Mitigating the ringing

In order to damp a surge voltage across the drain and source terminals, it is most important to reduce wire inductances. The amplitude of the surge voltage can also be reduced by increasing the gate resistance. In addition, the ringing of the gate voltage can be suppressed by reducing the gate stray inductance.

## 4. Voltage induced by the source lead and wire stray inductances

A voltage induced by the  $di/dt$  of the drain current during turn-off and the stray inductances of the source lead and wire cause LCR resonance of the gate-source loop of a MOSFET, leading to ringing of the gate voltage.

If a large ringing voltage is superimposed on the gate voltage, the MOSFET might turn on and off repeatedly, leading to oscillation of the MOSFET. The gate voltage  $V_{GS}$  that turns off the MOSFET decays and reaches the Miller period (during which  $V_{GS}$  is constant), causing the drain-source voltage  $V_{DS}$  to gradually increase. At the same time, the drain current  $I_D$  begins to decrease. (The energy of load  $L$  flows through the freewheel diode.) (Figure 4.2)

As  $V_{DS}$  of the MOSFET increases, the drain-source capacitance  $C_{ds}$  decreases. Therefore, a large voltage variation  $dv/dt$  is generated between drain and source of the MOSFET. Consequently, the current decreases sharply (i.e., the  $di/dt$  increases).

When there is a stray inductance  $L_{s1}$  on the source lead and wire, a back-EMF is generated at the source inductance by the  $di/dt$ :

$$V = L_{s1} \times di/dt \quad (14)$$

The back-EMF voltage might cause ringing of the gate-source voltage.

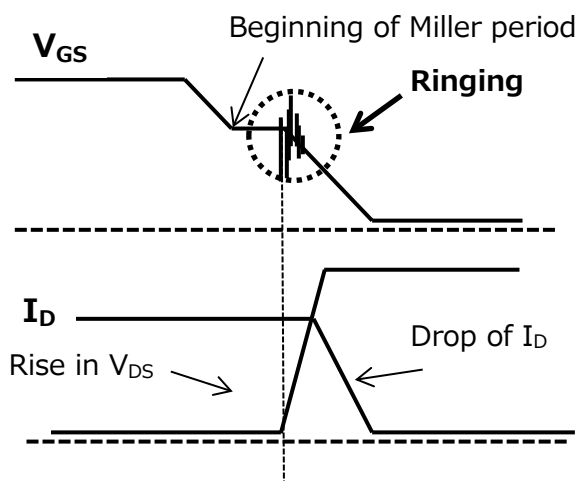


Figure 4.1 Ringing voltage

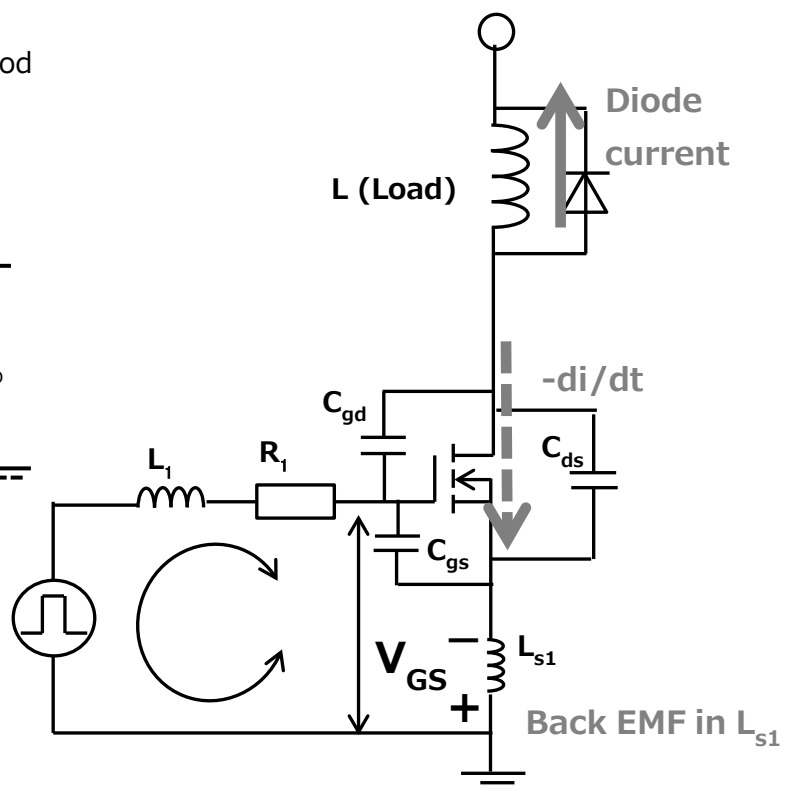


Figure 4.2. Circuit

### 4.1. Mitigating the ringing

In order to damp a surge voltage across the drain and source terminals, it is most important to reduce the stray inductances of the source lead and wire. The amplitude of the surge voltage can also be reduced by increasing the gate resistance  $R_1$ . In addition, ringing can be suppressed by reducing  $L_1$ .

## 5. Simulating and reducing oscillation and ringing of a MOSFET

We simulated to find out how the oscillation and ringing phenomena occur and how to mitigate them.

Since the purpose of this simulation was to investigate the phenomena, the actual component values to be used are different.

### 5.1. Oscillator

#### 5.1.1. Oscillation phenomenon

The oscillation of a circuit shown in Figure 5.1 was analyzed using the following component values.

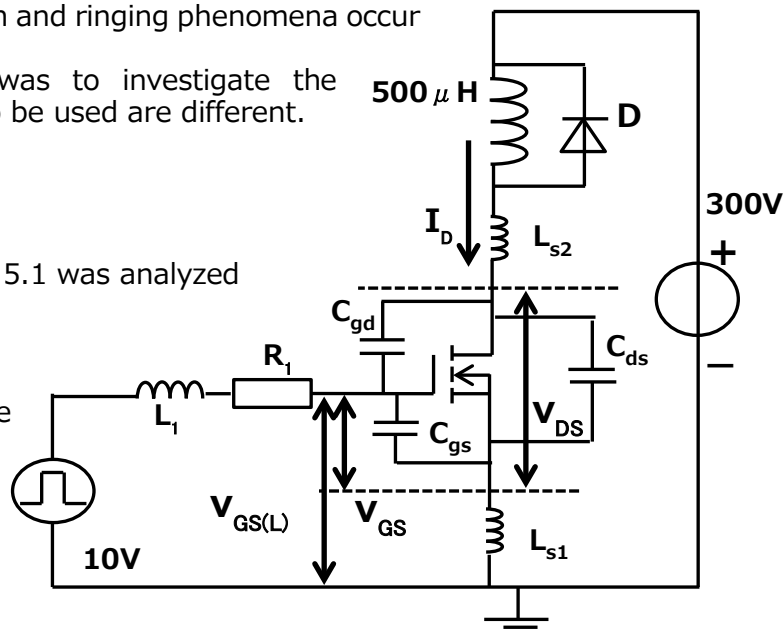
These are component values that caused oscillation. In order to simulate oscillation, the gate stray inductance  $L_1$  and the gate resistance were intentionally set to zero.

Drain stray inductance  $L_{S2}=20$  nH

Source stray inductance:  $L_{S1}=20$  nH

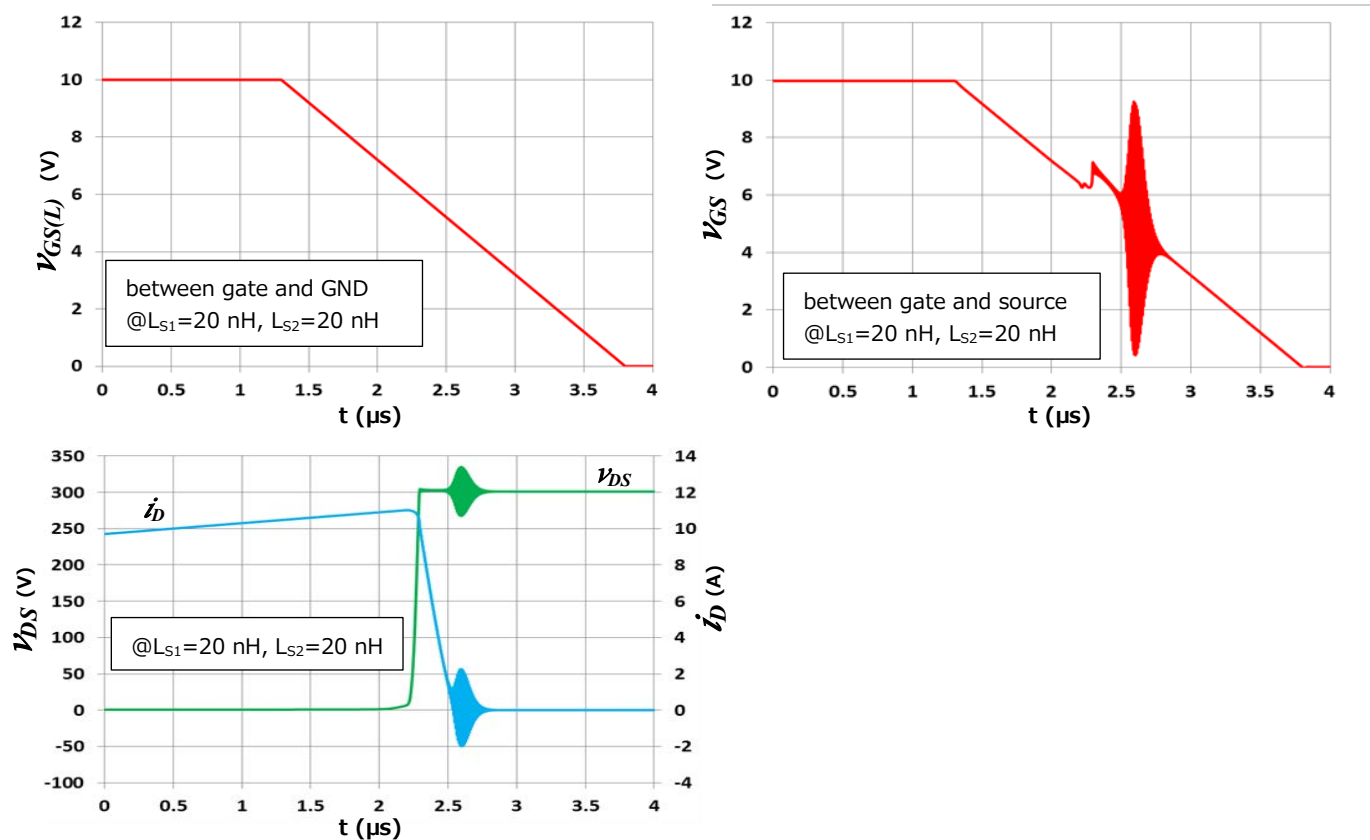
Gate stray inductance  $L_1=0$  nH

Gate resistance  $R_1=0$   $\Omega$



**Figure 5.1 Test circuit for oscillation**

Figure 5.2 shows the waveforms of the gate voltage, drain voltage and drain current of the MOSFET.



**Figure 5.2 Oscillation waveforms**

### 5.1.2. Mitigating oscillation

As described in Section 2.4, “Mitigating parasitic oscillation,” in order to prevent the forming of a Colpitts oscillator, it is most important to ensure that wire inductances satisfy the following relationship:  $L_{s1} < L_{s2}$ .

As another solution, our simulation showed that changing the gate resistance and gate inductance also helps mitigate MOSFET oscillation.

#### (1) Increasing the gate resistance

We changed the gate resistor value in Figure 5.1. Figure 5.3 shows the simulation results. Increasing the gate resistor value  $R_1$  helped mitigate the oscillation compared with the waveforms of Figure 5.2.

**The gate resistance  $R_1$  was changed from 0  $\Omega$  to 10  $\Omega$ .**

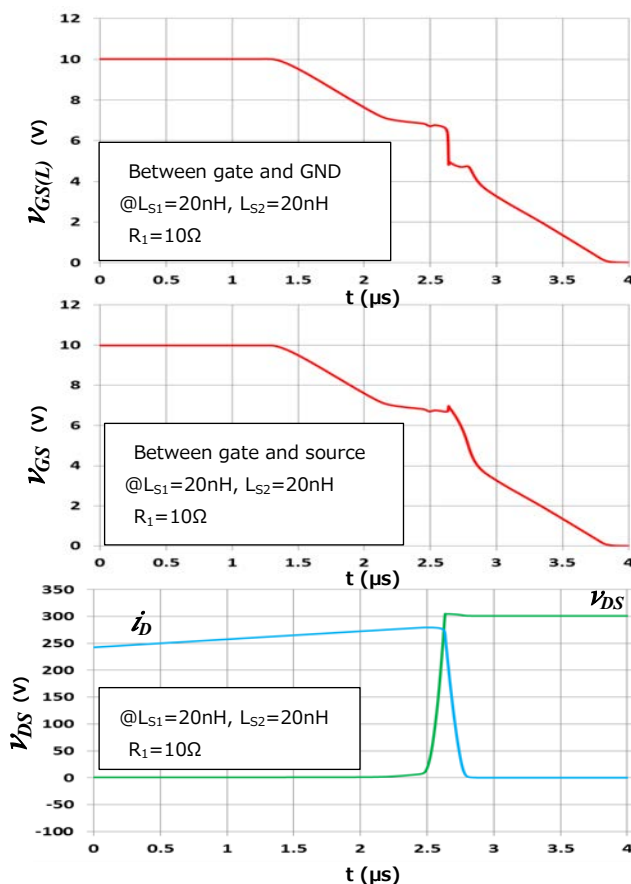
$L_{s1}=20$  nH,  $L_{s2}=20$  nH,  $L_1=0$  nH

#### (2) Increasing the gate stray inductance

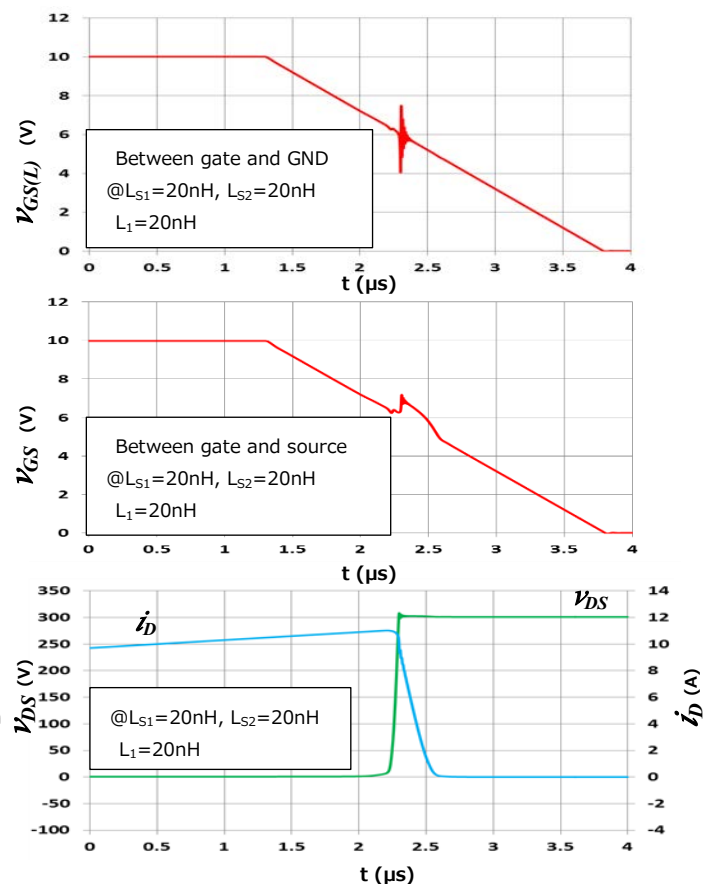
We increased the gate stray inductance in Figure 5.1. Figure 5.4 shows the simulation results. Increasing the gate stray inductance  $L_1$  helped mitigate the oscillation compared with the waveforms of Figure 5.2.

**The gate stray inductance  $L_1$  was increased from 0 nH to 20 nH.**

Gate resistance  $R_1=0$   $\Omega$ ,  $L_{s1}=20$  nH,  $L_{s2}=20$  nH,



**Figure 5.3 Waveforms with the increased  $R_1$**



**Figure 5.4 Waveforms with the increased  $L_1$**



### 5.2. Ringing caused by drain stray inductance

#### 5.2.1. Ringing simulation

We analyzed the effect of the drain stray inductance on ringing.

As described in Section 3, "Voltage ringing induced by the drain inductance," a surge voltage induced by the stray inductance of the drain of a MOSFET is superimposed on the gate voltage via the gate-drain capacitance  $C_{gd}$ , and then it causes the ringing of the gate voltage.

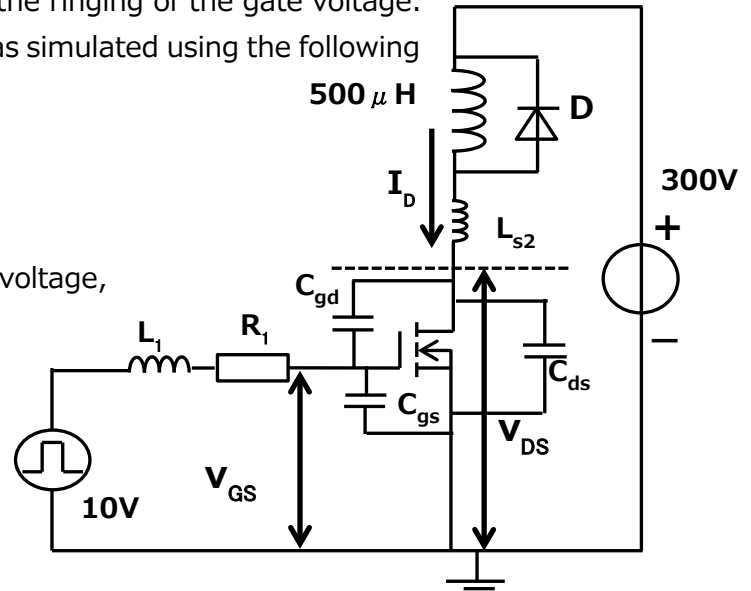
The ringing of a circuit shown in Figure 5.5 was simulated using the following component values:

Drain stray inductance  $L_{S2}=200$  nH

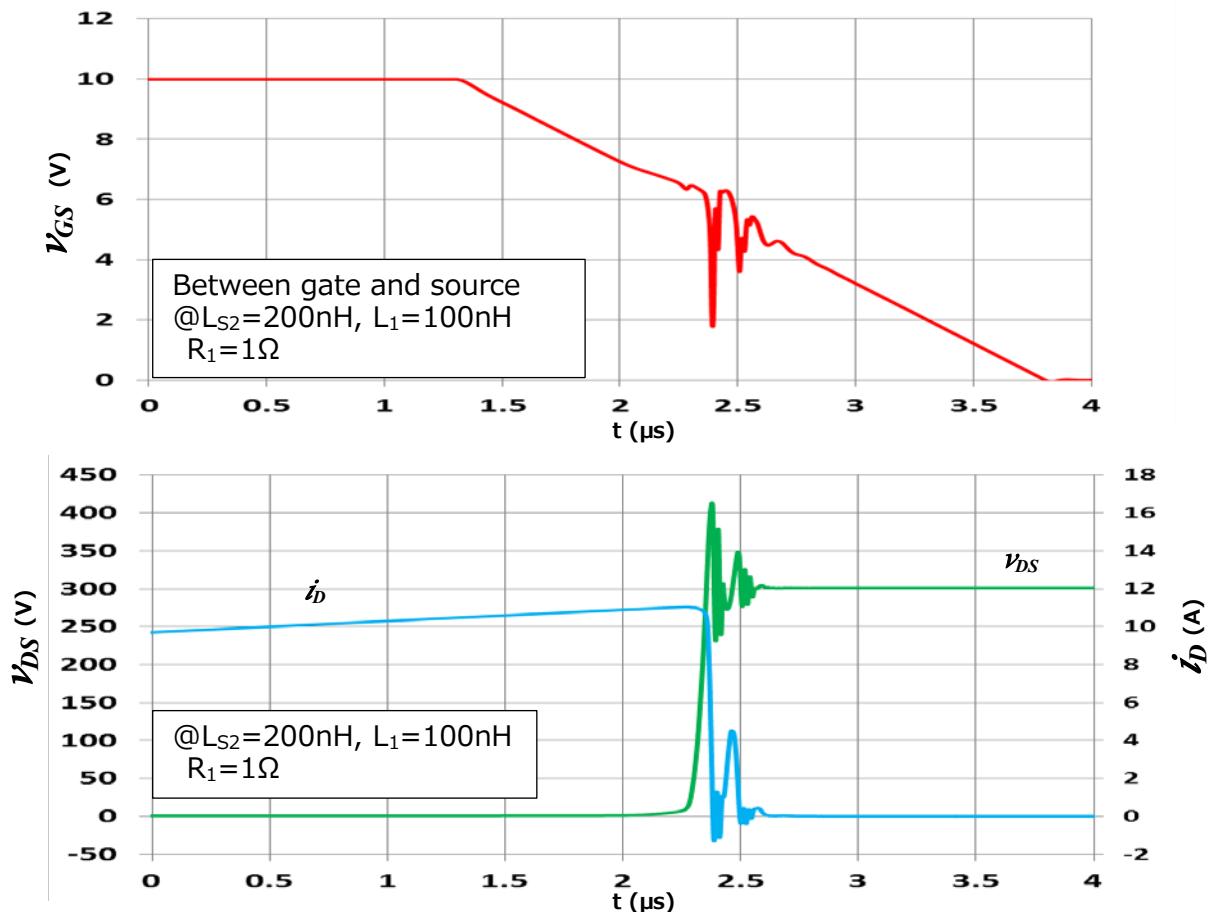
Gate stray inductance  $L_1=100$  nH

Gate resistance  $R_1=1$   $\Omega$

Figure 5.6 shows the waveforms of the gate voltage, drain voltage and drain current of the MOSFET.



**Figure 5.5 Test circuit for the gate voltage ringing caused by the drain inductance**



**Figure 5.6 Ringing waveforms**

### 5.2.2. Mitigating the ringing

As described in Section 3.2, "Mitigating the ringing," the most important thing is to reduce the drain stray inductance.

As another solution, our simulation showed that changing the gate resistance and gate inductance also helps mitigate the ringing caused by the drain stray inductance.

#### (1) Increasing the gate resistance

We changed the gate resistor value in Figure 5.5. Figure 5.7 shows the simulation results. Increasing the gate resistor value  $R_1$  helped mitigate the ringing compared with the waveforms of Figure 5.6.

**The gate resistance  $R_1$  was increased from  $1\ \Omega$  to  $10\ \Omega$ .**

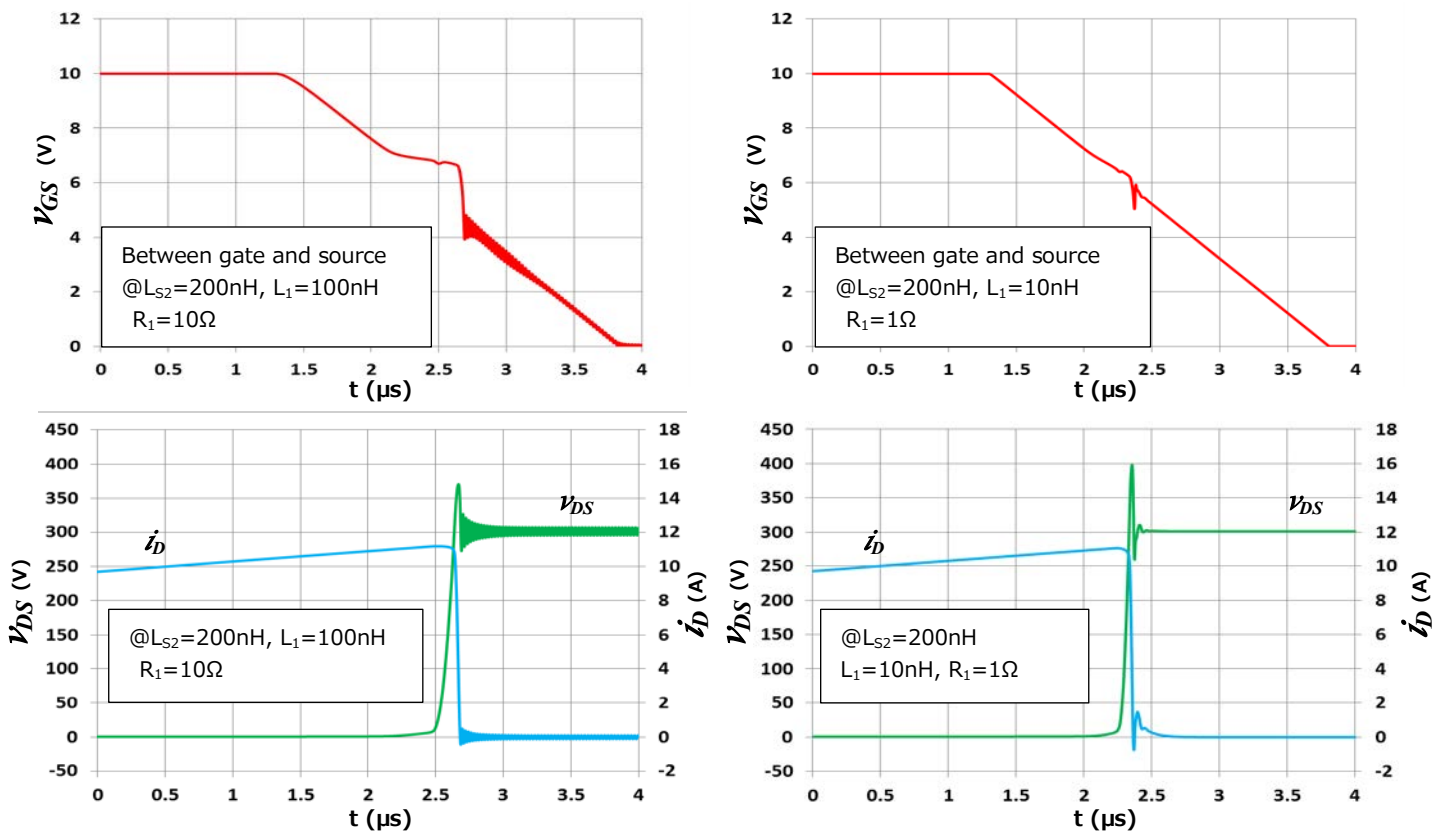
$L_{S2}=200\ \text{nH}$ ,  $L_1=100\ \text{nH}$

#### (2) Reducing the gate stray inductance

We reduced the gate stray inductance in Figure 5.5. Figure 5.8 shows the simulation results. Reducing the gate stray inductance  $L_1$  helped mitigate the ringing compared with the waveforms of Figure 5.6.

**The gate stray inductance  $L_1$  was reduced from  $100\ \text{nH}$  to  $10\ \text{nH}$ .**

$L_{S2}=200\ \text{nH}$ ,  $R_1=1\ \Omega$



**Figure 5.7 Waveforms with the increased  $R_1$**

**Figure 5.8 Waveforms with the reduced  $L_1$**

### 5.3. Ringing caused by the source lead and wire stray inductances

#### 5.3.1. Ringing simulation

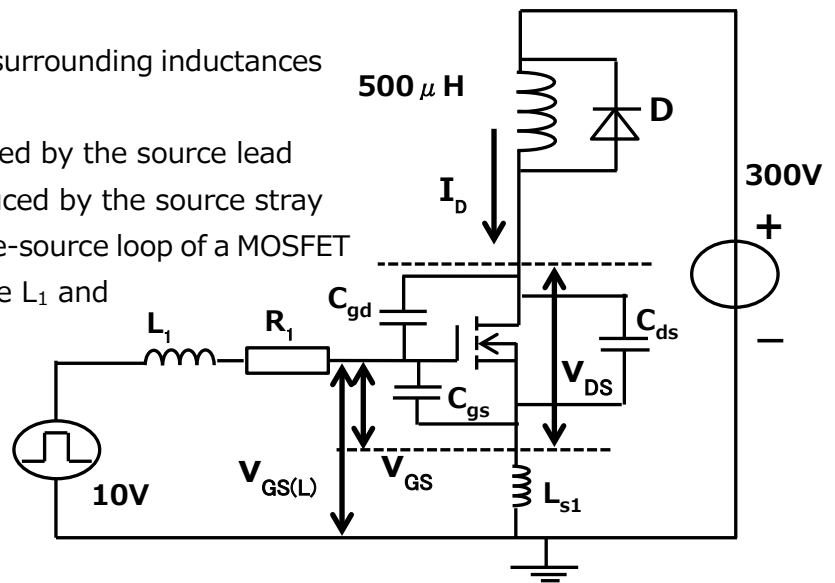
We analyzed the effect of the source and surrounding inductances on ringing.

As described in Section 4, "Voltage induced by the source lead and wire stray inductances," a voltage induced by the source stray inductance  $L_{S1}$  caused the ringing of the gate-source loop of a MOSFET due to the stray inductance of the gate wire  $L_1$  and the gate-source capacitance  $C_{GS}$ .

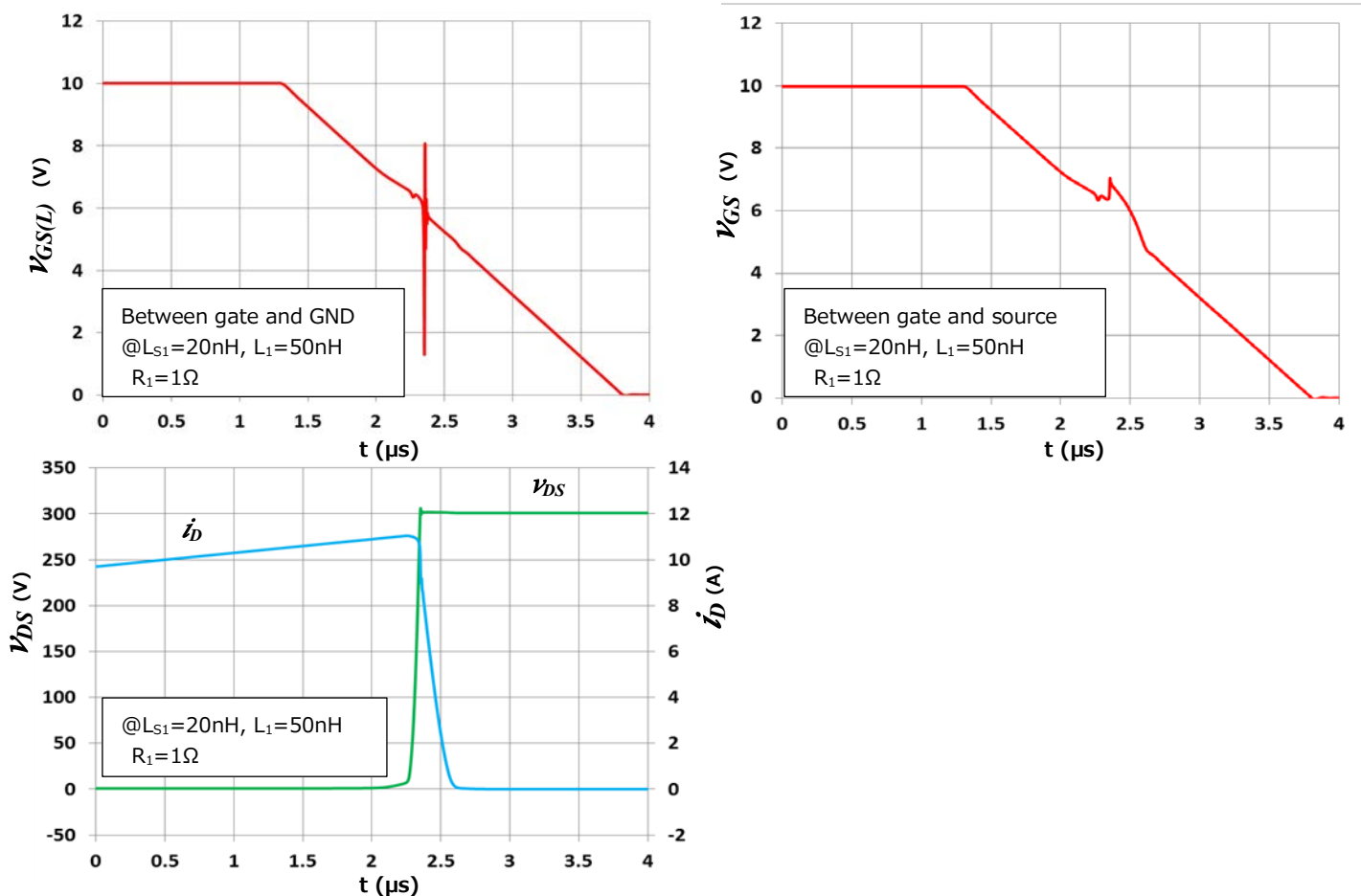
The ringing was simulated with the following component values:

- Source stray inductance:  $L_{S1}=20$  nH
- Gate stray inductance  $L_1=50$  nH
- Gate resistance  $R_1=1$   $\Omega$

Figure 5.10 shows the waveforms of the gate voltage, drain voltage and drain current of the MOSFET.



**Figure 5.9 Test circuit for gate voltage ringing caused by the source inductance**



**Figure 5.10 Ringing waveforms**

### 5.3.2. Mitigating the ringing

As described in Section 4.1, "Mitigating the ringing," the most important thing is to reduce the source stray inductance.

Our simulation showed that changing the gate resistance and gate inductance also helps mitigate the ringing caused by the source stray inductance.

#### (1) Increasing the gate resistance

We changed the gate resistor value in Figure 5.9. Figure 5.11 shows the simulation results. Increasing the gate resistor value  $R_1$  helped mitigate the ringing compared with the waveforms of Figure 5.10.

**The gate resistance  $R_1$  was changed from 1  $\Omega$  to 10  $\Omega$ .**

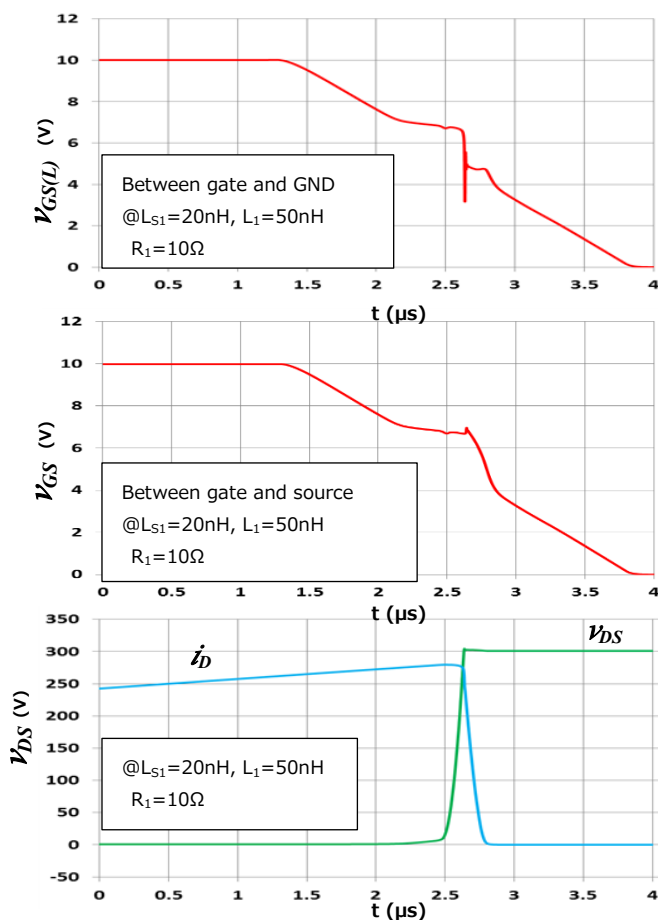
$L_{S1}=20$  nH,  $L_1=50$  nH

#### (2) Reducing the gate stray inductance

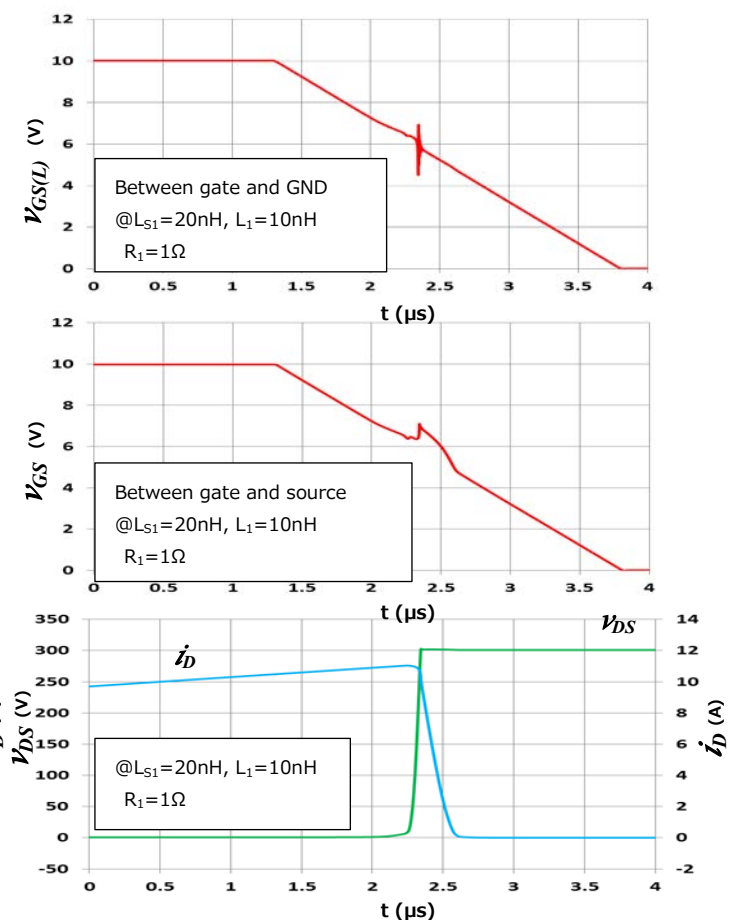
We reduced the gate stray inductance in Figure 5.9. Figure 5.12 shows the simulation results. Reducing the gate stray inductance  $L_1$  helped mitigate the ringing compared with the waveforms of Figure 5.10.

**The gate stray inductance  $L_1$  was reduced from 50 nH to 10 nH.**

$L_{S1}=20$  nH,  $R_1=1$   $\Omega$



**Figure 5.11 Waveforms with the increased gate resistance  $R_1$**



**Figure 5.12 Waveforms with the reduced gate stray inductance  $L_1$**

### RESTRICTIONS ON PRODUCT USE

Toshiba Corporation and its subsidiaries and affiliates are collectively referred to as "TOSHIBA". Hardware, software and systems described in this document are collectively referred to as "Product".

- TOSHIBA reserves the right to make changes to the information in this document and related Product without notice.
- This document and any information herein may not be reproduced without prior written permission from TOSHIBA. Even with TOSHIBA's written permission, reproduction is permissible only if reproduction is without alteration/omission.
- Though TOSHIBA works continually to improve Product's quality and reliability, Product can malfunction or fail. Customers are responsible for complying with safety standards and for providing adequate designs and safeguards for their hardware, software and systems which minimize risk and avoid situations in which a malfunction or failure of Product could cause loss of human life, bodily injury or damage to property, including data loss or corruption. Before customers use the Product, create designs including the Product, or incorporate the Product into their own applications, customers must also refer to and comply with (a) the latest versions of all relevant TOSHIBA information, including without limitation, this document, the specifications, the data sheets and application notes for Product and the precautions and conditions set forth in the "TOSHIBA Semiconductor Reliability Handbook" and (b) the instructions for the application with which the Product will be used with or for. Customers are solely responsible for all aspects of their own product design or applications, including but not limited to (a) determining the appropriateness of the use of this Product in such design or applications; (b) evaluating and determining the applicability of any information contained in this document, or in charts, diagrams, programs, algorithms, sample application circuits, or any other referenced documents; and (c) validating all operating parameters for such designs and applications. **TOSHIBA ASSUMES NO LIABILITY FOR CUSTOMERS' PRODUCT DESIGN OR APPLICATIONS.**
- **PRODUCT IS NEITHER INTENDED NOR WARRANTED FOR USE IN EQUIPMENTS OR SYSTEMS THAT REQUIRE EXTRAORDINARILY HIGH LEVELS OF QUALITY AND/OR RELIABILITY, AND/OR A MALFUNCTION OR FAILURE OF WHICH MAY CAUSE LOSS OF HUMAN LIFE, BODILY INJURY, SERIOUS PROPERTY DAMAGE AND/OR SERIOUS PUBLIC IMPACT ("UNINTENDED USE").** Except for specific applications as expressly stated in this document, Unintended Use includes, without limitation, equipment used in nuclear facilities, equipment used in the aerospace industry, medical equipment, equipment used for automobiles, trains, ships and other transportation, traffic signaling equipment, equipment used to control combustions or explosions, safety devices, elevators and escalators, devices related to electric power, and equipment used in finance-related fields. **IF YOU USE PRODUCT FOR UNINTENDED USE, TOSHIBA ASSUMES NO LIABILITY FOR PRODUCT.** For details, please contact your TOSHIBA sales representative.
- Do not disassemble, analyze, reverse-engineer, alter, modify, translate or copy Product, whether in whole or in part.
- Product shall not be used for or incorporated into any products or systems whose manufacture, use, or sale is prohibited under any applicable laws or regulations.
- The information contained herein is presented only as guidance for Product use. No responsibility is assumed by TOSHIBA for any infringement of patents or any other intellectual property rights of third parties that may result from the use of Product. No license to any intellectual property right is granted by this document, whether express or implied, by estoppel or otherwise.
- **ABSENT A WRITTEN SIGNED AGREEMENT, EXCEPT AS PROVIDED IN THE RELEVANT TERMS AND CONDITIONS OF SALE FOR PRODUCT, AND TO THE MAXIMUM EXTENT ALLOWABLE BY LAW, TOSHIBA (1) ASSUMES NO LIABILITY WHATSOEVER, INCLUDING WITHOUT LIMITATION, INDIRECT, CONSEQUENTIAL, SPECIAL, OR INCIDENTAL DAMAGES OR LOSS, INCLUDING WITHOUT LIMITATION, LOSS OF PROFITS, LOSS OF OPPORTUNITIES, BUSINESS INTERRUPTION AND LOSS OF DATA, AND (2) DISCLAIMS ANY AND ALL EXPRESS OR IMPLIED WARRANTIES AND CONDITIONS RELATED TO SALE, USE OF PRODUCT, OR INFORMATION, INCLUDING WARRANTIES OR CONDITIONS OF MERCHANTABILITY, FITNESS FOR A PARTICULAR PURPOSE, ACCURACY OF INFORMATION, OR NONINFRINGEMENT.**
- Do not use or otherwise make available Product or related software or technology for any military purposes, including without limitation, for the design, development, use, stockpiling or manufacturing of nuclear, chemical, or biological weapons or missile technology products (mass destruction weapons). Product and related software and technology may be controlled under the applicable export laws and regulations including, without limitation, the Japanese Foreign Exchange and Foreign Trade Law and the U.S. Export Administration Regulations. Export and re-export of Product or related software or technology are strictly prohibited except in compliance with all applicable export laws and regulations.
- Please contact your TOSHIBA sales representative for details as to environmental matters such as the RoHS compatibility of Product. Please use Product in compliance with all applicable laws and regulations that regulate the inclusion or use of controlled substances, including without limitation, the EU RoHS Directive. **TOSHIBA ASSUMES NO LIABILITY FOR DAMAGES OR LOSSES OCCURRING AS A RESULT OF NONCOMPLIANCE WITH APPLICABLE LAWS AND REGULATIONS.**